

POWERTRON®

BREAKER SERIES

BREAKER SERIES, UL LISTED, DOCKING STATION 1200 – 2000 AMP

Part Number	Rating	SCCR Rating	Technical Data	Enclosure Option	Dimensions
TBQCB(X)12-LPMS(XXX) TBQCB(X)12-LPSS(XXX)**	1200	100 kA RMS 600 VAC Max (See below*)	3 Phase, 5 Wire, 208Y/120 VAC, 240/120 VAC, 480Y/277 VAC, or 600/347 VAC	Pad mount, mild steel or stainless steel	74"H x 48"W x 48"D
TBQCB(X)16-LPMS(XXX) TBQCB(X)16-LPSS(XXX)**	1600				
TBQCB(X)20-LPMS(XXX) TBQCB(X)20-LPSS(XXX)**	2000				

- Electronic Trip Circuit Breaker (LSI, LSIG)
- UL Listed NEMA 3R Enclosure
- Trapped cable door prevents cable disconnection by unauthorized personnel
- Completed assembly safety agency approved
- cULus Listed 1008 / Control # 47HY / Product ID: Enclosed Power Inlet
- cULus Listed 891 / Control #WEVZ / Product ID: Enclosed Power Outlet

(XXX) = voltage being used; ex: LPMS480

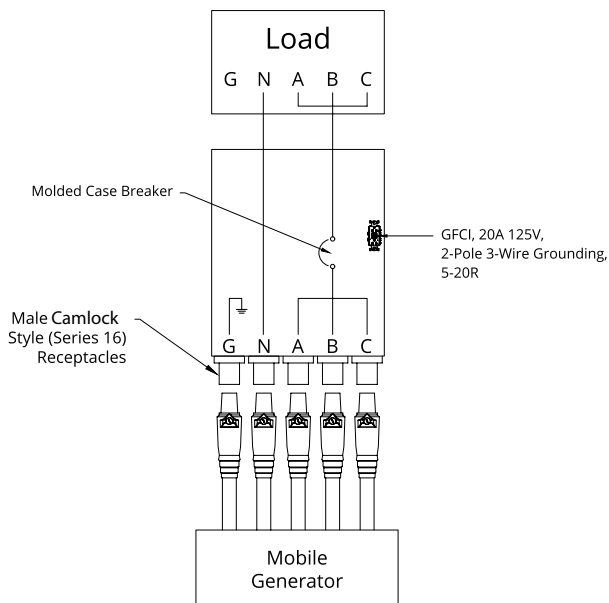
(X) = M or F; ex: Male or Female Camlocks

* SCCR based on circuit breaker AIC, 65 and 100 kA available.

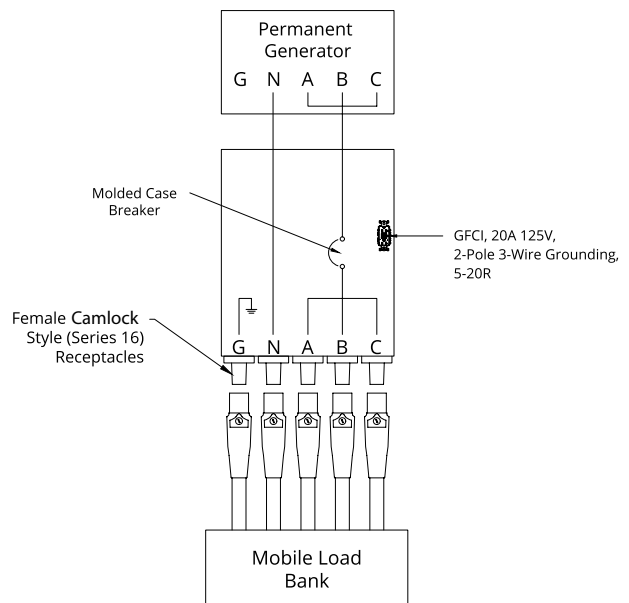
**LPSS (Stainless Steel) available for ordering as well

TYPICAL ONE LINE DIAGRAM

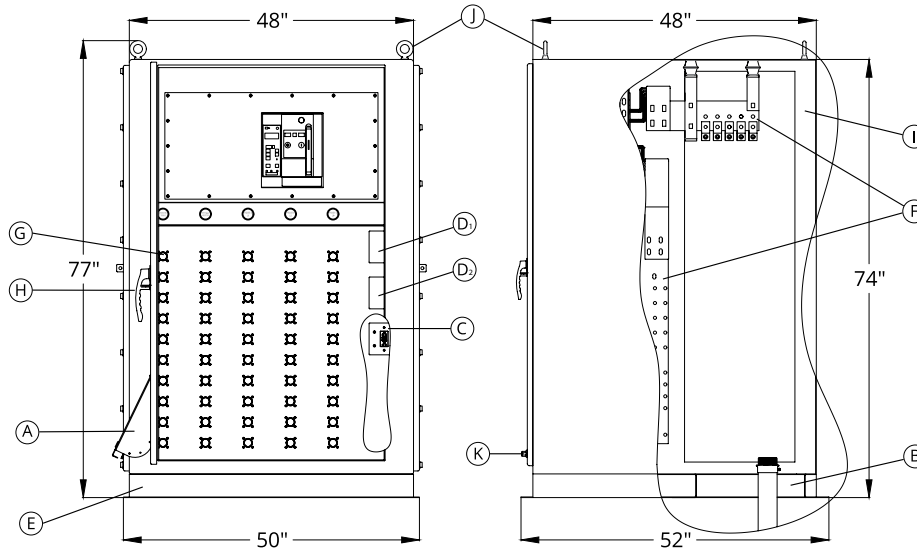
Male Camlocks - Input



Female Camlocks - Output



DIMENSIONS OF BREAKER SERIES 1200 - 2000 AMP



PART NUMBER BUILDER

Series		Camlock Type		Amperage		Enclosure Option		Voltage	
TBQCB	Breaker	M	Male	12	1200A	LPMS	Large Pad Mount Mild Steel	208	208Y/120V
		F	Female	16	1600A	LPSS	Large Pad Mount Stainless Steel	240	240/120V
				20	2000A			480	480Y/277V
								600	600Y/347V

Standard Components	
A	Trapped Cable Door
B	Bottom Conduit Access Point with Removable Panel
C	Remote Start/Stop Terminals & GFCI 20 Amp Receptacle
D1	30 Amp Twist Lock
D2	50 Amp Twist Lock
E	Large Pad Mount: Approx. Pad Dimensions (50"W x 52"D)
F	Plated Copper Bus Bar
G	Series 16, 400 Amp, 600 VAC, Single Pole Camlock Receptacle
H	Pad Lockable Handle
I	(2X) Utility Side Door Secured with Penta Bolts & (2X) Pad Lock Provisions
J	Eye Lifting Hooks
K	Pad Lockable Hex SWS w/Pin

ENCLOSURE SPECIFICATIONS

Type	Height	Width	Depth	Material	Color/Finish
NEMA 3R	74"	48"	48"	Mild Steel	ANSI 61 Gray
				Stainless Steel	Clear Brushed Finish

Voltage	Ground	Neutral	L1	L2	L3	# of Rows Each
208Y/120						x3 (1200A) x4 (1600A) x5 (2000A)
240/120						
480Y/277						
600/347						

ADDITIONAL ACCESSORIES

RONK offers a wide range of tap box accessories designed for "field assembled" installation. Visit: www.ronkelectrical.com/products/accessories for more information.



Revised 2025.02

Sales: 1-800-221-7665 • Service & Support: 1-217-563-8333

PO Box 160, 106 E State Street, Nokomis, IL 62075-0160 • sales@ronkelectrical.com • www.ronkelectrical.com