

POWERTRON®

GENERATOR TAP BOX WITH AUTOMATIC TRANSFER SWITCH



The POWERTRON Generator Tap Box ATS offer a versatile range of options for electrical distribution, accommodating current ratings from 60A to 1200A in both single phase and three phase configurations. Available in 2 (60A-600A), 3, and 4 pole setups, these tap boxes are equipped with a UL1008 rated open transition transfer switch, ensuring reliable and efficient switching between power sources. Ideal for critical applications, they provide seamless power management and enhanced safety features, making them suitable for a variety of industrial and commercial environments.

INTEGRATED ATS SERIES, GENERATOR, DOCKING STATION 600 – 1200 AMP

Part Number	Rating	Technical Data	Enclosure Option	Dimensions		
TBQCAM06(X)-MPMS-(XXX)(-X)	600A	2, 3, 4 Pole 120/208 VAC, 120/240 VAC, 277/480 VAC,	Pad mount, mild steel or stainless steel	71.8"H x 36.9"W x 34.9"D		
TBQCAM06(X)-MPSS-(XXX)(-X)						
TBQCAM08(X)-MPMS-(XXX)(-X)	800A	3 and 4 Pole 120/208 VAC, 120/240 VAC, 277/480 VAC,				
TBQCAM08(X)-MPSS-(XXX)(-X)						
TBQCAM10(X)-MPMS-(XXX)(-X)	1000A					
TBQCAM10(X)-MPSS-(XXX)(-X)						
TBQCAM12(X)-MPMS-(XXX)(-X)	1200A					
TBQCAM12(X)-MPSS-(XXX)(-X)						

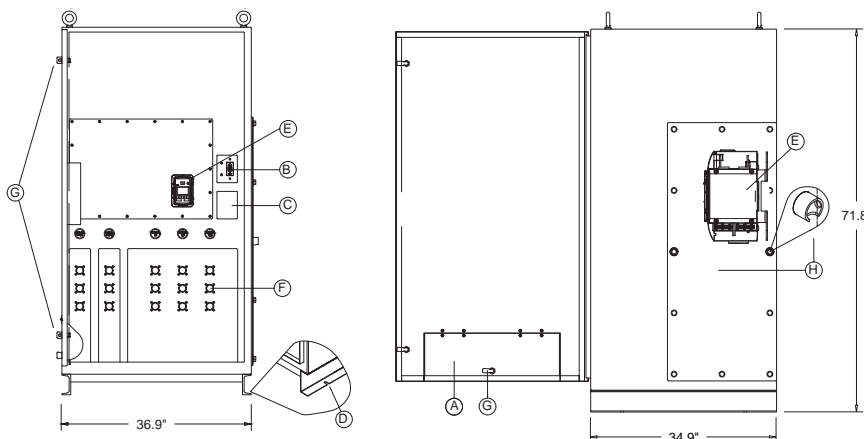
- Fully Welded UL Listed NEMA 3R Enclosure
- Trapped cable door prevents cable disconnection by unauthorized personnel
- cULus Listed 1008 Transfer Switch

(X) = Select solid neutral, switched neutral, or none.
ex: TBQCAM08S

(XXX) = voltage being used;
ex: MPMS-480

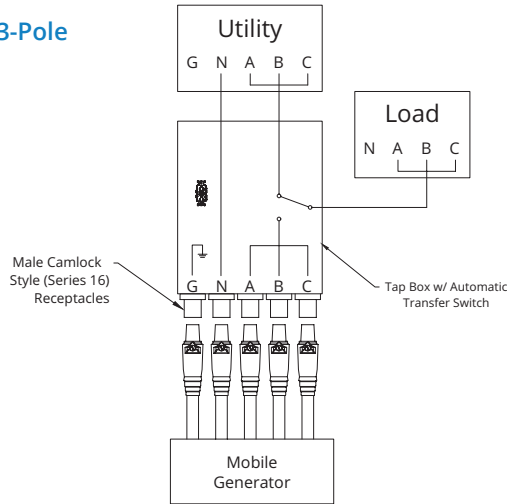
(-X) = number of switched poles;
ex: MPMS-480-3

DIMENSIONS OF INTEGRATED ATS SERIES 600-1200 AMP

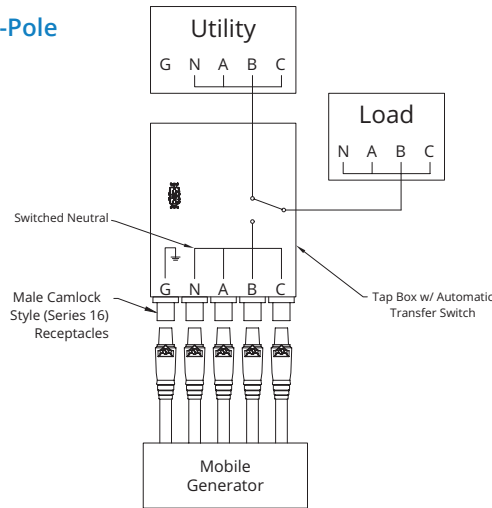


TYPICAL ONE LINE DIAGRAM (INPUT PANELS)

3-Pole



4-Pole



PART NUMBER BUILDER

Series	Camlock Type		AMP		Neutral		Enclosure Option		Voltage		# of Switched Poles	
	TBQCA	M	Male	06	600	N	None	MPMS	Medium Pad Mount Mild Steel	208	208Y/120V	2
	F	Female	08	800	X	Solid Neutral	MPSS	Medium Pad Mount Stainless Steel	240	240/120V	3	3 pole
			10	1000	S	Switched Neutral			480	480Y/277V	4	4 pole
			12	1200								

EXAMPLE PART NUMBER - TBQCAM06N-MPMS-208-3

ENCLOSURE SPECIFICATIONS

Type	Height	Width	Depth	Material	Color/Finish
NEMA 3R	71.8"	36.9"	34.9"	Mild Steel	ANSI 61 Gray
				Stainless Steel	Clear Brushed Finish

Voltage	Ground	Neutral	L1	L2	L3	# of Rows (600-800A)	# of Rows (1200A)
208Y/120						x2	x3
240/120						x2	x3
480Y/277						x2	x3

Standard Components	
A	Trapped Cable Door
B	Remote Start/Stop Terminals & GFCI 20 Amp Receptacle
C	Additional Accessory Mounting
D	Pad Mounting Layout Estimated Opening - 0.50" dia. - 23.65" x 35.5"
E	Automatic Transfer Switch
F	Series 16, 400 Amp, 600 VAC, Single Pole Camlock Receptacle
G	Pad Lock with Handle Hex SWS w/Pin
H	Utility Side Door secured with Penta Bolts and (2x) Pad Lock Provisions
I	Eye Lifting Hooks



Revised 2025.05

Sales: 1-800-221-7665 • Service & Support: 1-217-563-8333

PO Box 160, 106 E State Street, Nokomis, IL 62075-0160 • sales@ronkelectrical.com • www.ronkelectrical.com