

# POWERTRON®

## INTEGRATED DUAL-PURPOSE MTS SERIES



The POWERTRON Dual-Purpose MTS (Manual Transfer Switch) is engineered to provide seamless backup power solutions and load testing capabilities within a single, efficient unit. Designed to meet NEC 700.3(F) requirements, this innovative solution simplifies power management by integrating manual transfer switching and quick-connect features for load banks and standby generators. Available in models ranging from 100 to 1200 amps, these units are built to UL standards and deliver reliable performance for critical applications. With a weatherproof NEMA Type 3R enclosure and trapped cable door for added security, the POWERTRON Dual-Purpose MTS ensures safe, convenient, and economical connectivity for maintenance, testing, and backup power needs.

### DUAL-PURPOSE MTS SERIES, UL LISTED, DOCKING STATION 600 – 1200 AMP

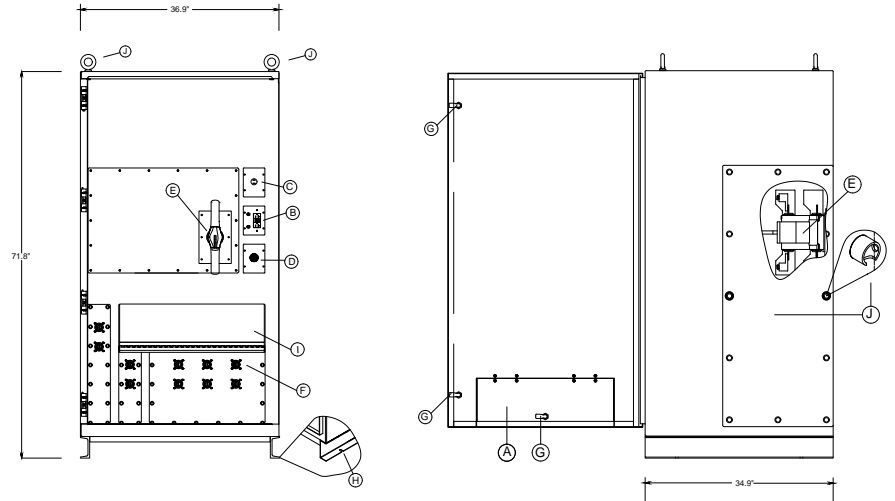
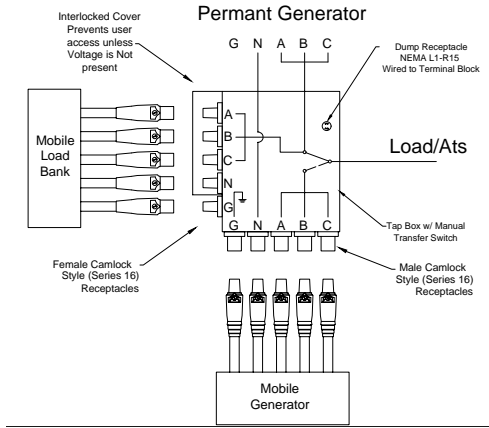
Part Number	Rating	SCCR Rating	Technical Data	Enclosure Option	Dimensions
TBQCDP06-MPMS(XXX)(-X)	600A	22 kA RMS 600 VAC Max	2, 3 or 4 Pole, 5 Wire 120/208 VAC, 120/240 VAC, 277/480 VAC, or 347/600 VAC	Pad mount, mild steel or stainless steel	71.8"H x 36.9"W x 34.9"D
TBQCDP06-MPSS(XXX)(-X)					
TBQCDP08-MPMS(XXX)(-X)	800A				
TBQCDP08-MPSS(XXX)(-X)					
TBQCDP12-MPMS(XXX)(-X)	1200A	50 kA RMA 600 VAC Max			
TBQCDP12-MPSS(XXX)(-X)					

- UL Listed NEMA 3R Enclosure
- Trapped cable door prevents cable disconnection by unauthorized personnel
- Male Series 16 Camlocks for ease of temporary generator hook up
- Female Series 16 Camlocks Interlocked with a Panduit Absence of Voltage detector
- Standard Load dump receptacle (NEMA L1-R15)
- Auto Start Terminals with Auto Start Destination Switch
- Completed assembly safety agency approved
- cULus Listed 1008 / Control # WPVQ/ Product ID: Enclosed Power Inlet

(XXX) = voltage being used; ex: MPMS600  
(-X) = 2, 3, 4 pole; ex: MPMS480-3

## TYPICAL ONE LINE DIAGRAM (INPUT PANELS)

## DIMENSIONS OF DUAL-PURPOSE MTS SERIES 600-1200 AMP



## PART NUMBER BUILDER

Series	Amperage		Enclosure Option		Voltage		# of Switched Poles	
TBQCDP	06	600A	MPMS	Medium Pad Mount Mild Steel	208	208Y/120V	2	2 pole
	08	800A	MPSS	Medium Pad Mount Stainless Steel	240	240/120V	3	3 pole
	12	1200A			480	480Y/277V	4	4 pole
					600	600Y/347V		

EXAMPLE PART NUMBER: **TBQCDP06-MPMS-208-3**

## ENCLOSURE SPECIFICATIONS

Type	Height	Width	Depth	Material	Color/Finish
NEMA 3R	71.8"	36.9"	34.9"	Mild Steel	ANSI 61 Gray
				Stainless Steel	Clear Brushed Finish

Voltage	Ground	Neutral	L1	L2	L3
208Y/120					
240/120					
480Y/277					
600/347					

Standard Components	
A	Trapped Cable Door
B	Remote Start/Stop Terminals with Ground Fault
C	Load Dump Receptacle L1-15R
D	Panduit Absence of Voltage Detector
E	Manual Transfer Switch
F	Series 16, Single Pole Male Camlock Receptacle
G	Pad Lockable Handle Hex SWS with Pin
H	Pad Mounting Layout Estimated Opening - .50" dia. 36" x 23.75"
I	Series 16, Single Pole Female Camlock Receptacle
J	Utility Side Door Secured with Penta Bolts and (2x) Pad Lock Provisions
K	Eye Lifting Hooks



Revised 2025.03

Sales: 1-800-221-7665 • Service & Support: 1-217-563-8333

PO Box 160, 106 E State Street, Nokomis, IL 62075-0160 • sales@ronkelectrical.com • www.ronkelectrical.com