

# WINGCO<sup>®</sup> GENERATORS

 An American Company

We produce our products in our 200,000ft<sup>2</sup> facility located in Le Center, Minnesota, equipped with modern engineering, fabrication and assembly capabilities.



Full Load Tested

Every generator is 100% load tested



DSE 7310 Controller

Provides immediate performance information



Coolant Heater

120V in-line Hotstart coolant heater with thermostat



Battery Charger

8 Amp, smart marine charger standard



TÜV Certified

The design, construction, and performance of our stationary generators conform to UL2200 and CSA standards



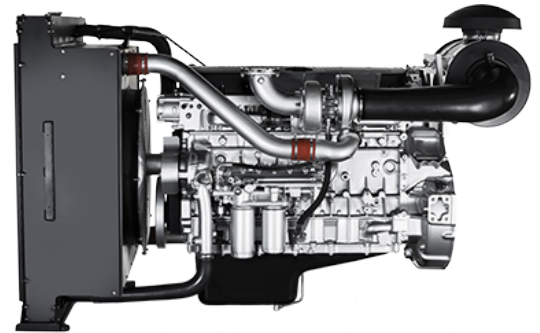
# DR300F4 300,000 WATTS

Rugged Design.

Durable enclosure with powder coat paint



Industrial FPT Engine.



Cummins Industrial Genend.



# SPECIFICATIONS

## ELECTRICAL

VOLTS	P.F.	STANDBY			PRIME			MAIN CB
		WATTS	KVA	AMPS	WATTS	KVA	AMPS	
120/208 3-PH	0.8	300,000	375	1,041	270,000	270	937	1,000
120/240 3-PH	0.8	300,000	375	902	270,000	337	811	900
277/480 3-PH	0.8	300,000	375	451	270,000	337	406	450
346/600 3-PH	0.8	300,000	375	361	270,000	337	325	400

NOTE: (1) Adjustable 400A-1000A circuit breaker is on all models.

## ENGINE

ENGINE BRAND	FPT
ENGINE MODEL	C87TE1PV F550
TIER	III
ENGINE STARTER	24V ELECTRIC
ENGINE SPEED	1800 RPM
ENGINE CYLINDERS	6
ENGINE HP	442
FREQUENCY <sup>(1)</sup>	60 HZ
ALTERNATOR	90 AMP
FLYWHEEL	14"
ROTATION	CCW
ASPIRATION	TURBOCHARGED
COOLANT	12.6 GAL
BORE/STROKE	125 mm x 140 mm
DISPLACEMENT	8.7L
RECOMMENDED OIL <sup>(2)</sup>	5W-40 SAE
OIL CAPACITY	6.35 GAL
INJECTION PUMP	BOSCH TYPE
GOVERNOR	ELECTRONIC
COMPRESSION RATIO	15.9:1
FAN TYPE	PUSHER
INTAKE AIR CONSUMPTION	804 CFM
RADIATOR COOLING AIR	13,412 CFM
EXHAUST FLOW	1,710 KG/HR
EXHAUST OUTLET SIZE	5"
STARTING TEMP W/BLOCK HEATER	-13° F

NOTES: (1) Steady state frequency regulation. (2) The recommended oil is for normal applications. See operator's manual for the recommended oil for your needs.

## DR300

MOTOR STARTING (CODE G)	200 HP
DBA @ 7 METERS	78
TOTAL HARMONIC DISTORTION	< 5%
FLOATING NEUTRAL	YES
FORK LIFT POCKETS	NO
ASSEMBLED IN	USA
EPA APPROVED	TIER III (STANDBY)
CARB APPROVED	TIER III (STANDBY)
TÜV CERTIFICATION	UL2200 CSA
UNIT WARRANTY <sup>(1)</sup>	
STANDBY	2 YEAR/2000 HRS

NOTES: (1) For more generator warranty, see operator's manual.

## GENERATOR END

WINDING	12 LEAD
WINDING NUMBER	311
VOLTAGE REGULATION	AVR +/- 1%
AVR TYPE	MX341
PMG	STANDARD
TEMPERATURE RISE	125/40° C
TYPE	REVOLVING FIELD
BRUSHLESS	YES
SPEED	1800 RPM
ROTOR	2/3 PITCH
WINDINGS	100% COPPER
STATOR WINDING	DOUBLE LAYER LAP
COUPLING	DIRECT/FLEXIBLE DISC
BEARINGS	SINGLE (MAINTENANCE FREE)
EFFICIENCY PEAK	93.5
INSULATION	CLASS H
INGRESS PROTECTION	IP23

# SPECIFICATIONS

## DERATES

ABOVE SEA LEVEL 3280 - 9842 FT >9842 FT	3% PER 1640 FT 6% PER 1640 FT
MAX OPERATING TEMPERATURE	122°F 4% PER 10°F > 104°F

## BLOCK HEATER

VOLTS	120
WATTS	2,250
AMPS	18.8
THERMOSTAT ON OFF	80° F 100° F

## FUEL

TYPE	ASTM D975 NO-2D DIESEL
FUEL CONSUMPTION 100% 75% 50% 25%	GAL/HR 20.8 17.9 11.4 5.9
OPTIONAL FUEL TANK 560 GAL 845 GAL	L x W x H 144" x 59" x 25" 144" x 59" x 35"

## DSE 7310 CONTROLLER

### ENGINE DISPLAY/PROTECTION

ENGINE RPM	YES
LOW OIL PRESSURE	YES
HIGH COOLANT TEMP	YES
LOW COOLANT	YES
OVER/UNDER SPEED	YES
OVER CRANK	YES
CAN ECU SHUTDOWN	YES
ENGINE MAINTENANCE CODES	YES

### GENSET DISPLAY/PROTECTION

VOLTAGE (L-N & L-L)	YES
OVER/UNDER VOLTAGE	YES
FREQUENCY	YES
OVER/UNDER FREQUENCY	YES
AMP DISPLAY/SHUTDOWN	YES
PHASE IMBALANCE	FIELD ENABLED
KW, KVA, KVARH DISPLAY	YES
KWH, KVAH, KVARH DISPLAY	YES
GENERATOR PHASE SEQUENCE	OPTIONAL

Specifications are subject to change without notice.



## BATTERY

DC SYSTEM	24V
BATTERY RACK/CABLE	INCLUDED
BATTERY CHARGER	8 AMP
REQUIRED BATTERIES <sup>(1)</sup>	GROUP 4D 1200 CCA

NOTES: (1) 2 batteries are required. Batteries are not included.

## DIMENSIONS

DIMENSIONS (L x W x H)	181 x 59 x 87"
WEIGHT OPEN HOUSED	6,500 LBS 8,940 LBS
FREIGHT CLASS	70

NOTES: Dimensions are for an enclosed unit.

## OPTIONAL ACCESSORIES

BATTERY
BATTERY HEATER
RECEPTACLE PANEL
MIMIC PANEL
REMOTE MONITORING
NFPA 110 LEVEL 1 UPGRADE

### ADDITIONAL DISPLAYS/PROTECTIONS

EXTERNAL E-STOP	FIELD INSTALLED
BATTERY VOLTAGE	YES
BATTERY OVER/UNDER VOLTAGE	YES

### COMMUNICATIONS

USB CONNECTABLE	YES
RS232/RS485	YES
REMOTE DISPLAY PANEL	OPTIONAL
DSE WEB NET	OPTIONAL

### ADDITIONAL FEATURES

AUDIBLE ALARM	YES
ENGINE EXERCISER	FIELD ENABLED
MAINTENANCE INTERVAL TIMER	FIELD ENABLED
LOAD SHEDDING/DUMMY	FIELD ENABLED
CONFIGURABLE INPUTS	4 (EXPANDABLE)
CONFIGURABLE OUTPUTS	4 (EXPANDABLE)
EVENT LOG	250