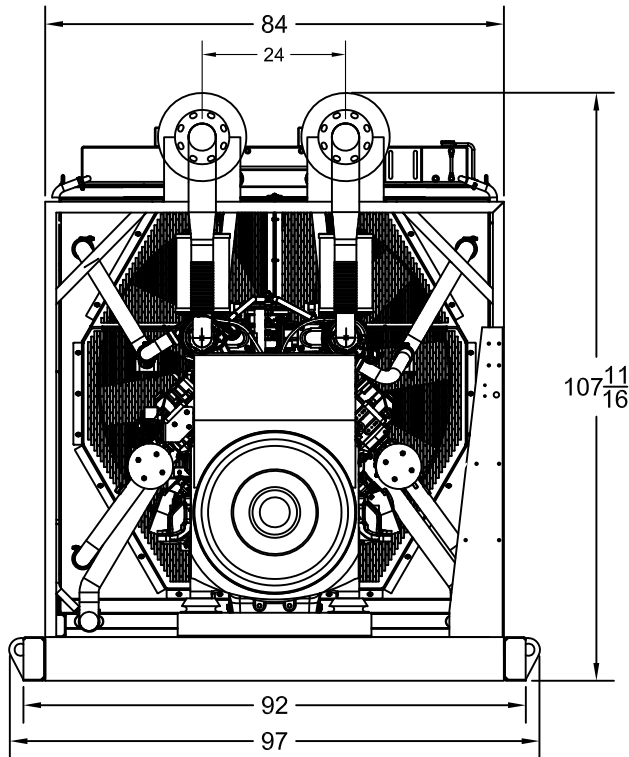
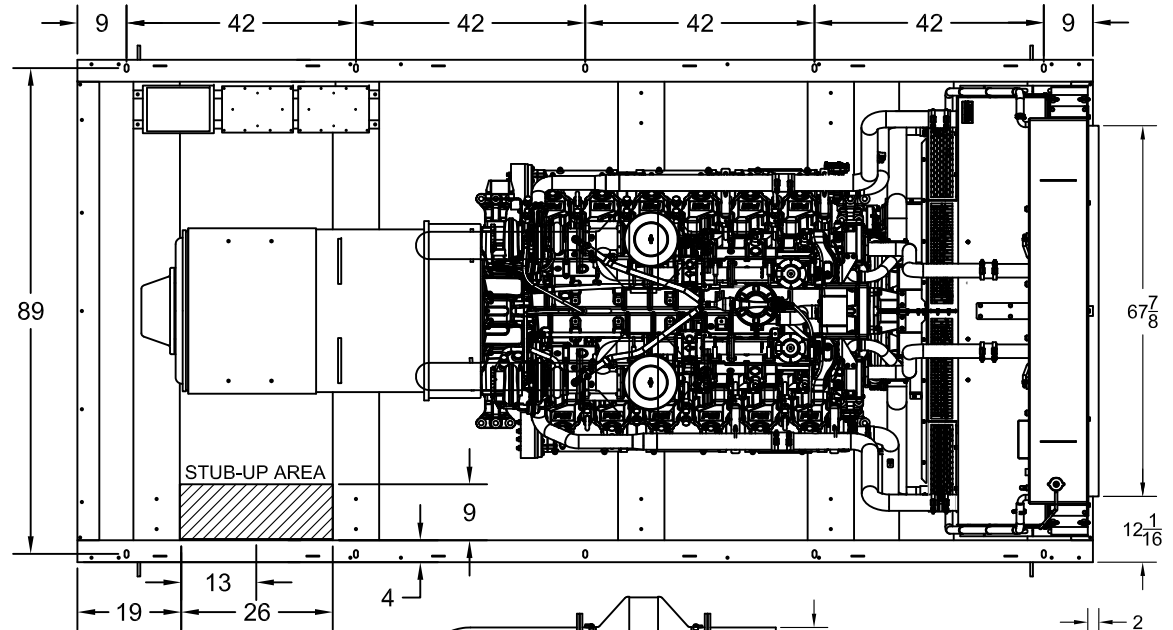
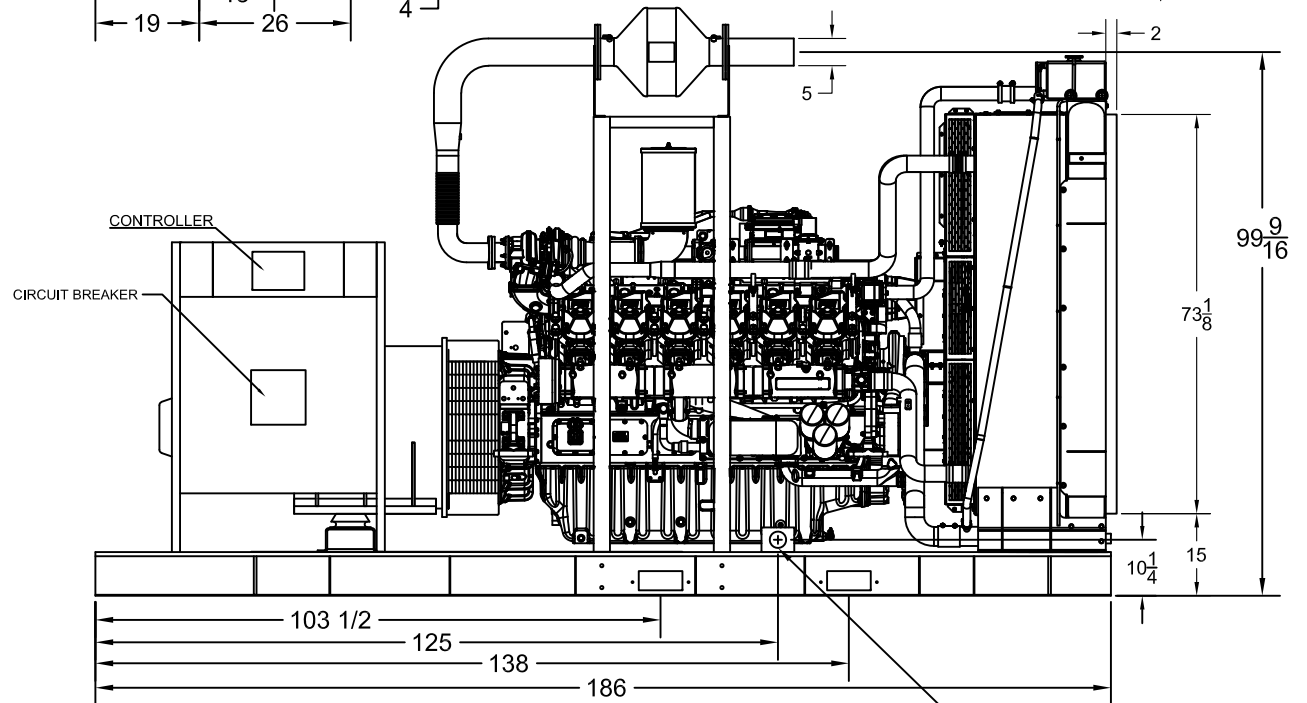


# SP-6500 OPEN DIMENSIONAL OVERVIEW W/ EXHAUST

## TOP VIEW



## GEN END VIEW



## SIDE VIEW

3" NPTF COUPLING  
FOR DRY FUEL CONNECTION  
LOCATED ON BOTH SIDES