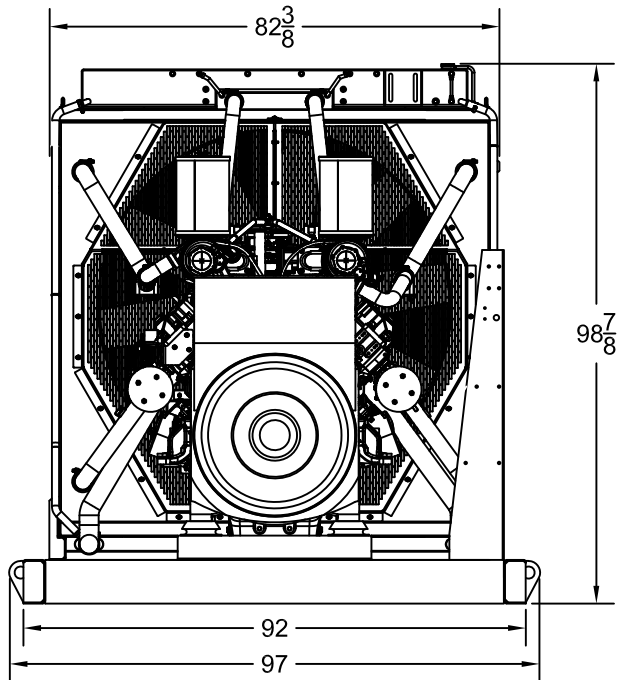
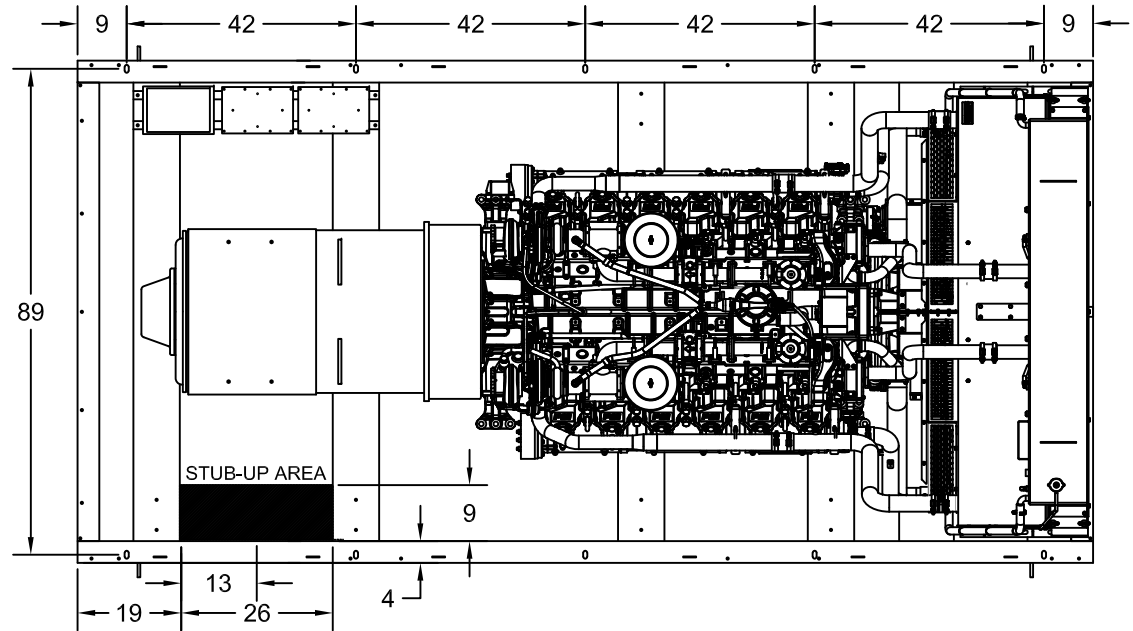
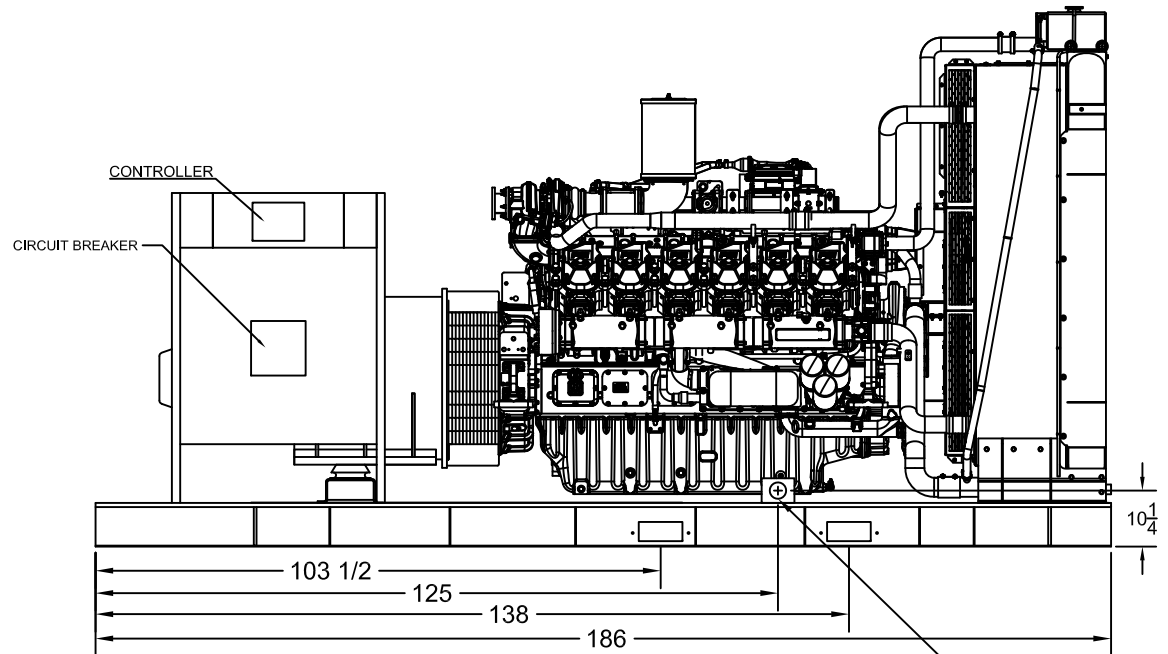


SP-8000 OPEN DIMENSIONAL OVERVIEW

TOP VIEW



GEN END VIEW



SIDE VIEW

3" NPTF COUPLING
FOR DRY FUEL CONNECTION
LOCATED ON BOTH SIDES